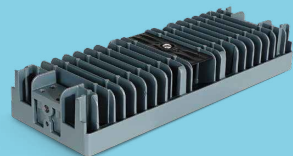
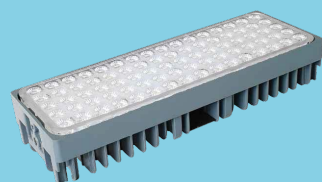


02 /LED FLOOD LIGHT



Model:WH-FL-M-H



Power & Performance

High quality ADC 12 die-casting aluminum, the aluminum content of 99.6%; good thermal Conductivity, corrosion resistance; adopting the design of combining hollow-out holes and groove together, which can help to consolidate fins, maximize the cooling area and optimize the air channel, thus make it 3D heat dissipation.

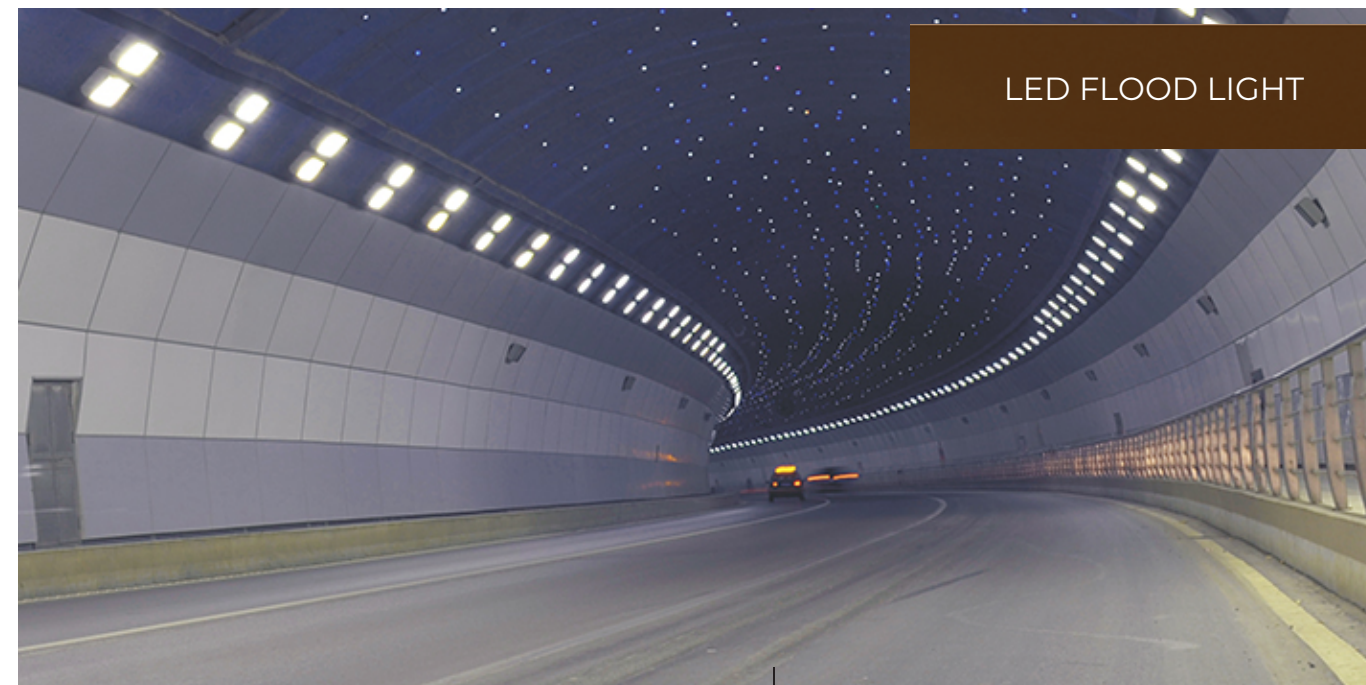
FEATURE

- * Offer 120 lm/W lumen performance, available in multiple wattages.
- * High performance thermal management design ensuring low LED junction temperature.
- * Easy installation and maintenance, longer lifetime with high lumen maintenance.
- * Energy savings, no UV and IR radiations, emits low heat.
- * IP65(IP67 optional).



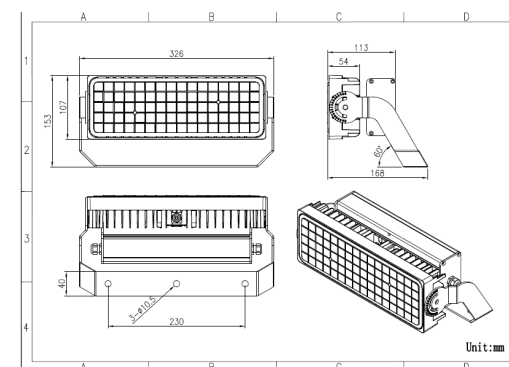
PRODUCTS PARAMETER

Model	Watt	Input Voltage	Luminous Flux	Dimensions	Weight
WH-FL-M-H-80	80	160-270VAC 50/60Hz	9500 lm	W126×L125×H55mm	4.0 kg
WH-FL-M-H-110	110	160-270VAC 50/60Hz	14300 lm	W180×L154×H55mm	5.5 kg
WH-FL-M-H-160	160	160-270VAC 50/60Hz	19000 lm	W227×L190×H55mm	7.5 kg
WH-FL-M-H-220	220	160-270VAC 50/60Hz	26800 lm	W268×L310×H55mm	8.5 kg
WH-FL-M-H-440	440	160-270VAC 50/60Hz	53600 lm	W378×L310×H55mm	24.0 kg
WH-FL-M-H-880	880	160-270VAC 50/60Hz	105600 lm	W444×L333×H55mm	40.0 kg



LED FLOOD LIGHT

Dimensions

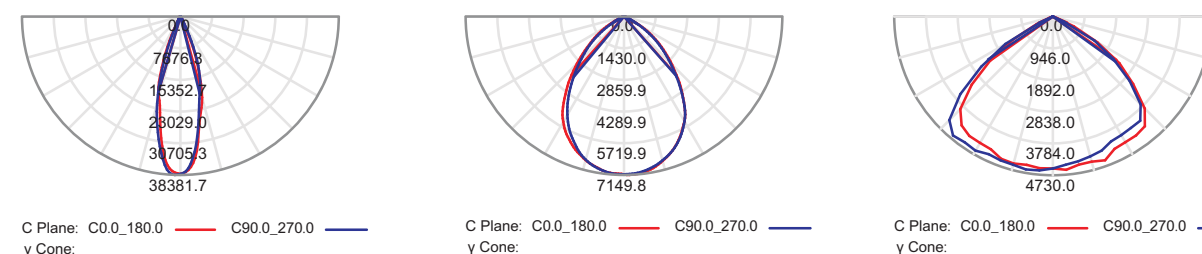


Applications

Roads, railways, subways and other underground lighting; stadium workshop, large warehouse, plant and construction places etc



Light Distribution Curve 110°/ 90°/60°/30°/15°



SPECIFICATION

● Light Source: Lumileds / Cree Beam Angle:	Lifespan: 50,000 H
● D110/60/30/15	Operating Temp: -40°C~ +50°C
● CCT: 3000K / 4000K / 5000K / 6000K CRI:	Dimming: 1-10V / Dali
● CRI>70(or >80 available)	Driver: Meanwell / Philip / Our brand Driver